

THE TOOL TABLE

The Newsletter of the Richmond Antique Tool Society

VOLUME 17, No. 4

WWW.RICHMONDANTIQUETOOLS.COM

SEPTEMBER 2011

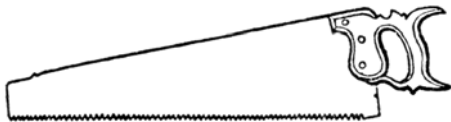
Next Meeting Friday September 9th Agenda

6:00–7:00 p.m. Tool talk & sales

7:00–7:15 p.m. General meeting

7:15–8:00 p.m. Saw sharpening
with Anthony

8:00–9:00 p.m. Tool talk &
sales; wrap up



THE TOOL TABLE is the official publication of the Richmond Antique Tool Society and is published bi-monthly, in February, April, June, September and November of each year.

Editor & Layout.....Bill Taggart
w.taggart@verizon.net

The President's Plane Talk

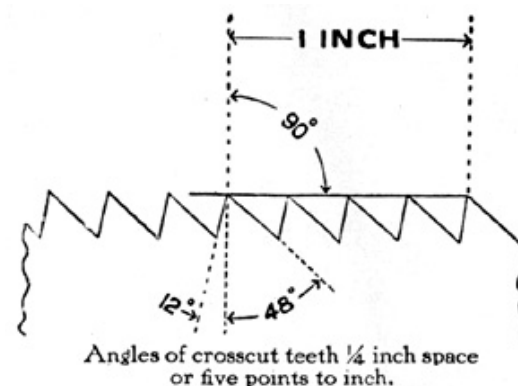
Earthquakes, hurricanes and RATS... what do they all have in common? Answer: They bring out the best in people (most of the time), lots of stories and even some old tool usage. Anything from chain saws to two man saws to buck saws to axes – you name it – you probably used it this past week after the hurricane! Please join us in our next RATS meeting to share your stories, buy some more tools or sell a few. We'll gather at Pocahontas Middle School on Friday September 9th from 6-9 p.m. Our own Anthony Senunias will provide a demonstration on hand saw sharpening. So, with that in mind, we have our theme on SAWS. Please bring in some saws to show-n-tell about or add to our presentation. I look forward to seeing you after our summer break as we start our 18th year as a tool club! 18 years...

Several RATS were at Ed Hobbs' Farm meeting for MidWestTCA in late July. Again, another great meeting, tool show and BBQ hosted by Ed and his wife. A Roy Underhill sighting was confirmed as Roy auctioned off a broad axe that he used in taping a recent show – all to a charity. A fun auction and tool sales were very good, based on feedback from sellers.

Hopefully, no more quakes or storms will stop you from attending our RATS meeting Friday, September 9th and we can say we SAW you at the meeting. Pun intended!

Plane and Simple,

Rick Long



The Richmond Antique Tool Society (RATS) is a non-profit organization serving to promote knowledge of and interest in collecting, making and using antique tools. RATS provides a gathering place where members and guests can gain knowledge and understanding about tools and trades from the past and also buy, sell and trade old tools. Regular meetings are held in February, April, June, September, November and December. Memberships are available for \$10.00 annually by mailing to:

Richmond Antique Tool Society
 c/o Dick Levy
 556 Pantela Dr.
 Richmond, VA 23235

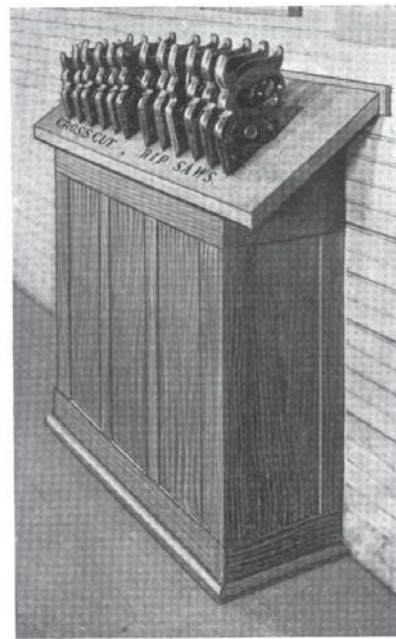
Officers

President..... Rick Long
 longsbassball@comcast.net
 (804) 550-1010

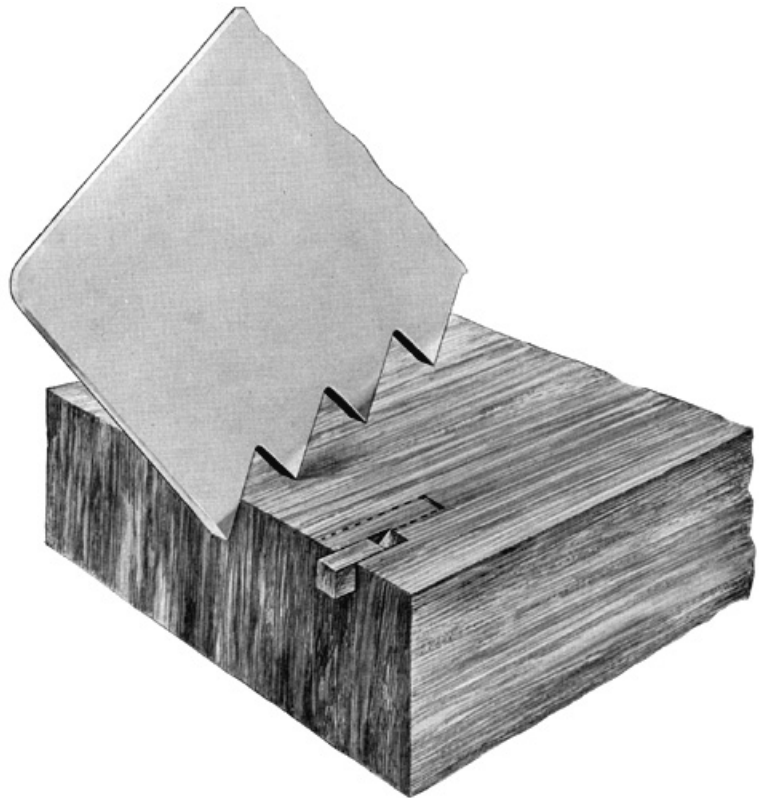
Treasurer Dick Levy

Auction
 Committee..... Anthony Senunias
 (804) 746-8310

To receive THE TOOL TABLE
 and RATS announcements
 via e-mail, contact:
 w.taggart@verizon.net



The Saw Case in Use.



RATS Calendar 2011

Sept. 9-11	Somerset Steam & Gas Pasture Party	14375 Blue Ridge Turnpike, Somerset, VA
Sept. 16-18	Field Day of the Past	Rt. 623, Goochland, VA
November 4	RATS General Meeting	Pocahontas Middle School
Nov. 12	M-WTCA Area S Meet	Broadway, VA (Vaughn Simmons)
December 7	RATS General Meeting	Pocahontas Middle School

A HANDSAW STORAGE CABINET

By Bill Taggart

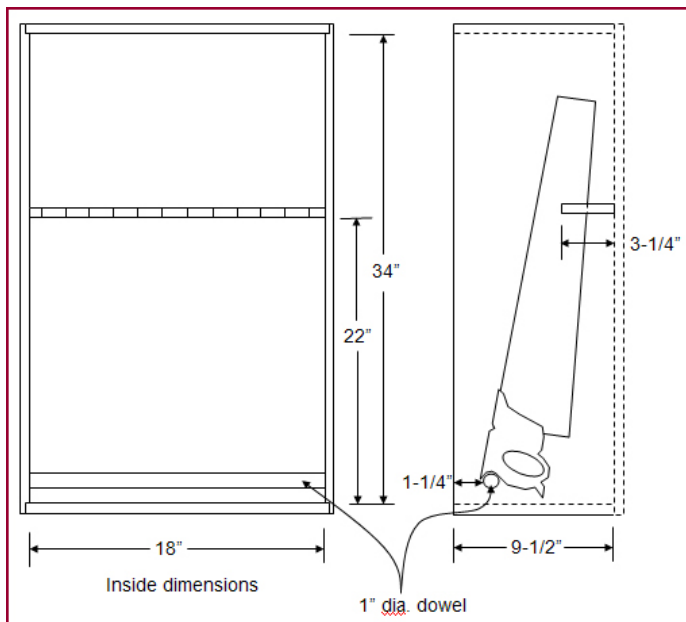
Several years ago, I built this cabinet to store handsaws.



My saw assortment outgrew the cabinet, so I sold it at last year's RATS December auction.

This left most of my hand saws laying around my shop in a messy pile, so recently I've started building a new, improved, larger version.

Here are the key basic dimensions of the original cabinet:

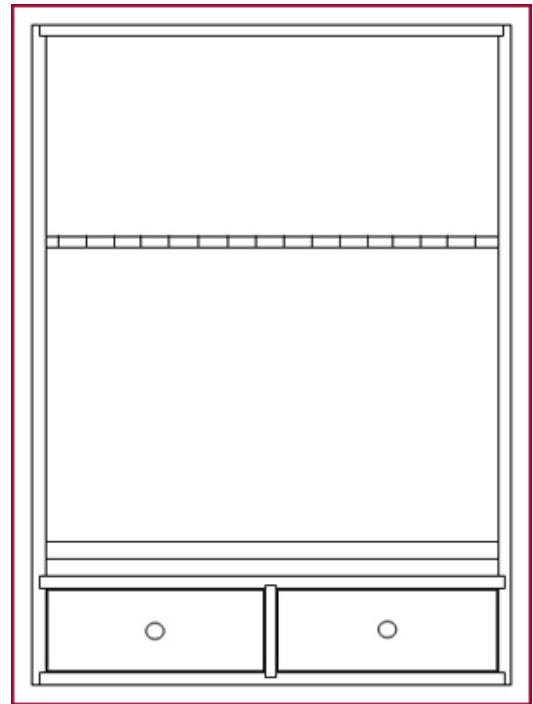


The saws handles all rest on a 1" diameter dowel, as shown in the drawing. To locate where the dowel needs to go inside the cabinet, I clamped the dowel horizontally in my bench vise and then balanced my biggest hand saw on it vertically. I wanted the saws

to just lean into the cabinet slightly – just enough to keep them from falling out – so that they could easily be grabbed and tipped out. Once I figured where the right saw angle was, I held the saw there and measured distances relative to the dowel to determine where the slotted blade holder and the back, bottom and top needed to be.

One thing to be aware of is to make the dowel high enough up off of the floor of the cabinet so that the bottom horn of the saw handle does not hit the cabinet floor. If it does, the saw will not sit properly on the dowel. Do not ask me how I know this.

My new saw storage cabinet will be more along the lines of the drawing below, and will have space for 20 regular hand saws, as well as several backsaws. The drawers will hold files and other random miscellany:



I made the original cabinet with simple rabbeted butt joints, glued and screwed together. I made the new one using box joints at all four corners. I will make a pair of frame-and-panel doors to keep the cabinet closed to keep the saws safely out of sight of prying eyes and to minimize the accumulation of dust. Like the original, the outside will be painted green and the interior will be oiled and varnished.

Richmond Antique Tool Society
c/o Dick Levy
556 Pantela Dr.
Richmond, VA 23235



THE TOOL TABLE

The Newsletter of the Richmond Antique Tool Society

VOLUME 17, No. 4

SEPTEMBER 2011

The Richmond Antique Tool Society (RATS) is a non-profit organization serving to promote knowledge of and interest in collecting, making and using antique tools. RATS provides a gathering place where members and guests can gain knowledge and understanding about tools and trades from the past and also buy, sell and trade old tools. Regular meetings are held in February, April, June, September, November and December. Memberships are available for \$10.00 annually by mailing to:

Richmond Antique Tool Society
c/o Dick Levy
556 Pantela Dr.
Richmond, VA 23235

To receive THE TOOL TABLE
and RATS announcements
via e-mail, contact:
w.taggart@verizon.net



RATS Calendar 2011

- | | |
|-------------|------------------------------------|
| Sept. 9-11 | Somerset Steam & Gas Pasture Party |
| Sept. 16-18 | Field Day of the Past |
| Nov. 4 | RATS General Meeting |
| Nov. 12 | M-WTCA Area S Meet |
| Dec. 7 | RATS General Meeting |