

# THE TOOL TABLE

The Newsletter of the Richmond Antique Tool Society

VOLUME 15, No. 2

JUNE 2009

## Next meeting Friday June 5

### Agenda

All times are approximate

**6:00–7:00 p.m. Tool talk & sales**

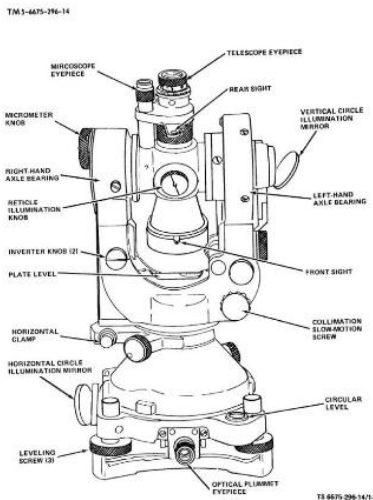
**7:00–7:15 p.m. General meeting**

**7:15–7:45 p.m. Auction**

**7:45–8:00 p.m. Break**

**8:00–9:00 p.m. Presentation:  
“Accident  
Reconstruction”**

**9:00–10:00 p.m. Tool sales**



**THE TOOL TABLE is the official publication of the Richmond Antique Tool Society and is published bi-monthly, in approximately January, March, May, June, August and November of each year.**

**Editor & Layout.....Bill Taggart  
wtaggart@comcast.net**

## The President's Plane Talk

I am looking forward to our next meeting, Friday night June 5th at Pocahontas Middle School. Our topic is “Accident Reconstruction: The Tools and How It Works” by RATS member Kevin Theriault (his Bio is inside the newsletter). Yes, this will be our first “modern or computer tool” presentation. Kevin will show tools from the past used to reconstruct accidents, but the modern tools will reflect how far we have advanced in this field. Funny thing he told me: “The tools we use today will be antiques in fifty years!” He has a point. So, I am excited about these “new tools” and our NEW Auction format. Many RATS suggested that we hold the tool auction before the presentation, rather than after, so we will try that in hopes that more will participate in the auction. See the agenda to the left. And see you there Friday night. Also, this will be our last meeting until September. Bring a friend to join the fun, tools to sell or auction (call me 804.550.1010), and money to buy.

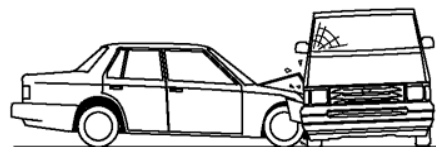
We packed the library during our last meeting in April with violinmaker John Larimore. He did a great job, had a fine selection of tools for his trade and was a master at his craft. His knowledge was tremendous and fellow RATS asked some detailed questions that seemed to excite John into discussing even more details. He told me that we have a great and very inquisitive group. “Yes, we do”, I said. All in all, a great night to learn from a professional violinmaker and all around good guy. Thanks, John.

Hopefully, the “tool gods” have been good to you. Bring in some of your tool finds to show or sell! Yard sales and flea markets are in full swing and the “Big One” is still out there. If you found it, show it.

See you June 5th...

Plane and Simple,

Rick Long



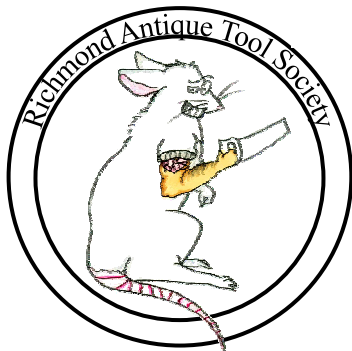
Richmond Antique Tool Society  
c/o Mike Larkin  
9487 Williamsville Road  
Mechanicsville, VA 23116

FIRST CLASS MAIL  
DATED MATERIAL



The Richmond Antique Tool Society (RATS) is a non-profit organization serving to promote knowledge of and interest in collecting, making and using antique tools. RATS provides a gathering place where members and guests can gain knowledge and understanding about tools and trades from the past and also buy, sell and trade old tools. Regular meetings are held in February, April, June, September, November and December. Memberships are available for \$10.00 annually by mailing to:

Richmond Antique Tool Society  
c/o Mike Larkin  
9487 Williamsville Road  
Mechanicsville, VA 23116



#### GUEST PRESENTER – KEVIN THERIAULT

“I was a police officer for about 12 years in the wonderful States of New Hampshire and Maine and part of my duties involved the investigation of crashes including serious personal injury and fatalities. Since then I’ve been working as a consultant/accident reconstructionist in the private sector for about 11 years. My clients are trucking companies, insurance companies, attorneys and private individuals. I am an accredited accident reconstructionist by the Accreditation Commission for Traffic Accident Reconstructionist (ACTAR). I work for both plaintiff and defense attorneys, is recognized as an expert witness in the US District Courts of Alabama, New York and West Virginia and in the circuit courts of 5 other states and have reconstructed over 750 crashes during my career. I am a certified forensic consultant by the American College of Forensic Examiners (ACFE) and I have been invited by them to present a presentation at their national conference in October.”

#### UPCOMING EVENT

Mid-West Tool Collectors Association Area Q Meet  
July 25, 2009  
Ed Hobbs Farm, Raleigh, NC